

Workbenches

AT



Figure with insert base option

Features

Workbenches AT for clamping devices, clamping means, for measurement, checking, testing, etc.

- Sub-frame from aluminium profiles PS series with braces made from aluminium panel profiles PP series
- Aluminium bench plate RE series of right angle profiles 40 × 250 mm with T-key inserts

Options

- length up to 2 m
- Various accessories

Accessories

Insert base for AT 1
Part no.: **248551 0010**

Insert base for AT 2
Part no.: **248551 0012**



Bench 1

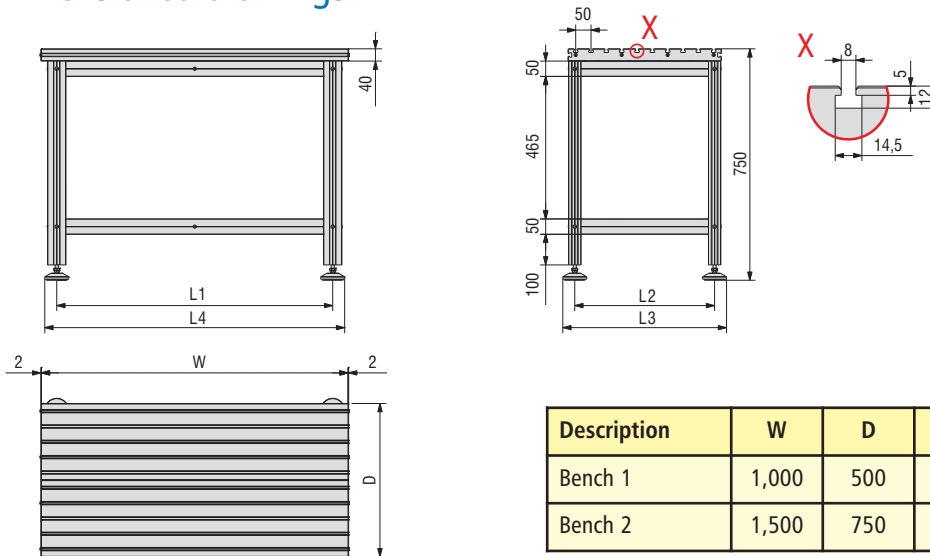


Bench 2

Ordering information

Part no.	Description	Loading: surface load	Weight
248 550 0010	Bench 1, W 1000 × D 500 × H 750 mm	200 kg	appr. 30 kg
248 550 0012	Bench 2, W 1500 × D 750 × H 750 mm	400 kg	appr. 60 kg

Dimensioned drawings



Description	W	D	L 1	L 2	L 3	L 4
Bench 1	1,000	500	900	456	536	980
Bench 2	1,500	750	1,380	680	800	1,500